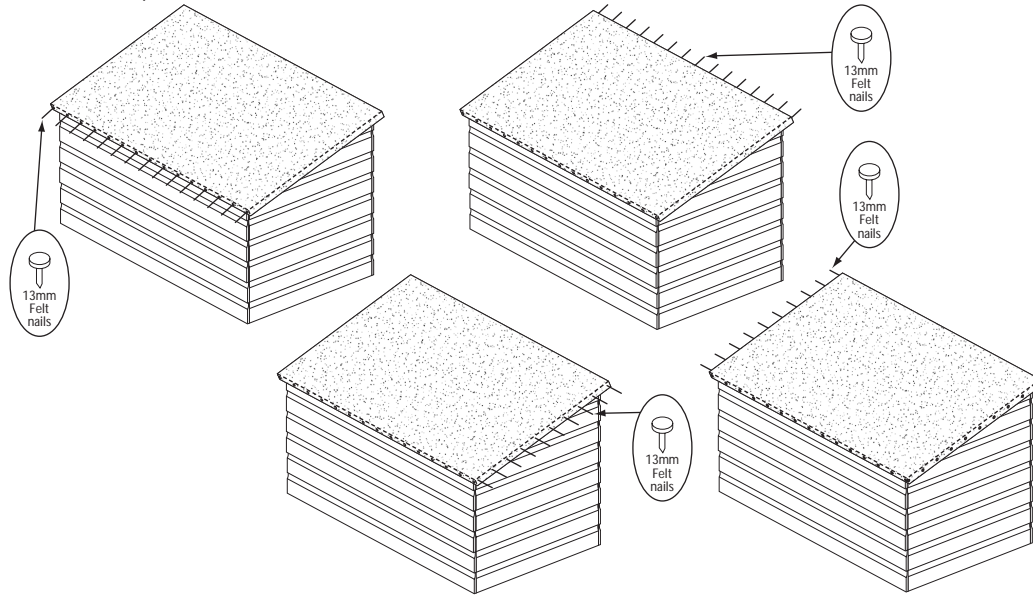


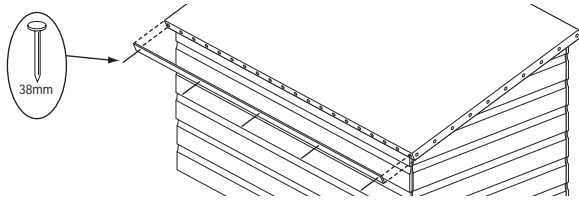
7. Roofing felt

Lay the felt over the lid ensuring that there is an equal overhang all round. Fold the felt over the front of the lid and secure to the lid framing using 15 x 13mm felt nails evenly spaced. Tension the felt over the back edge of the lid, fold down and secure using 15 x 13mm felt nails evenly spaced to the frame of the lid. Neatly fold the felt down on each side of the lid and secure using 10 x 13mm felt nails evenly spaced per side. Once the felt is fully secured trim off any excess felt with a sharp knife.



8. Bargeboard

Position the bargeboard against the front edge of the lid, ensure it is flush along the top edge and ends. Secure in place using 5 x 38mm nails as shown.



Important information

Shiplap buildings come ready stained but this is only a preparatory treatment. To **VALIDATE** the guarantee, the building must be properly treated with a recognised external wood preserver **WITHIN 3 MONTHS** of assembly and **RE-TREATED ANNUALLY** thereafter. The building must also be erected on 50mm x 50mm treated wooden or similar bearers (These are not supplied with the kit.) ground contact must be avoided.

Timber Information.

As timber is a natural material, there are certain weather conditions that may affect the materials properties. In times of excessive dry spells the material may lose some of its internal moisture causing a certain degree of shrinkage on a panel and in periods of excessive rain there will be a certain amount of swelling throughout the wooden panels. This process can not be avoided. If you have problems with certain boards shrinking in dry spells try to decrease the amount of direct sunlight on the building or the amount of air passing over the building. During hot spells spray water directly onto the panels with the aid of a garden hose.

If in doubt of any aspect regarding the assembly, use or safety of your garden chest please contact us :

Help Line (Normal Office Hours) 01829 261 121

ROWLINSON GARDEN PRODUCTS LIMITED
Unit 2 Green Lane
Wardle Nr. Nantwich
Cheshire
CW5 6BN
Tel : 01829 262 080
Fax : 01829 262 089

We constantly improve the quality of our products, occasionally the components may differ from the components shown and are only correct at time of printing. We reserve the right to change the specification of our products without prior notice.

2006 © Rowlinson Garden Products Ltd

ROWLINSON™
GARDEN PRODUCTS

Garden Chest

English SS019G

Assembly Instructions

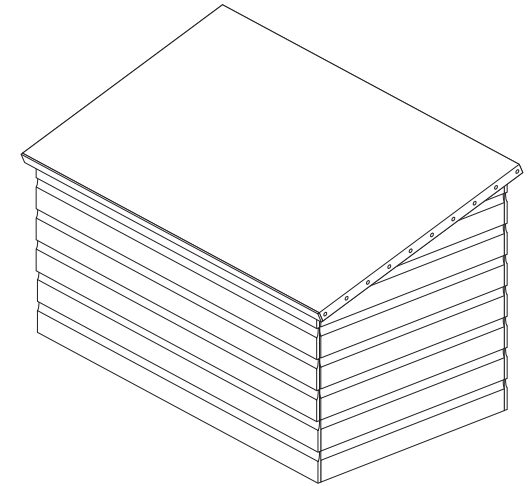
Before assembly

- We recommend that time is taken to read the instructions before starting assembly, then follow the easy step by step guide. The instruction sheet is only a guide to the assembly. Certain items may not be shown to scale.
- Check all components prior to assembly
- This product should be assembled by no less than 2 people
- Drill all components where indicated



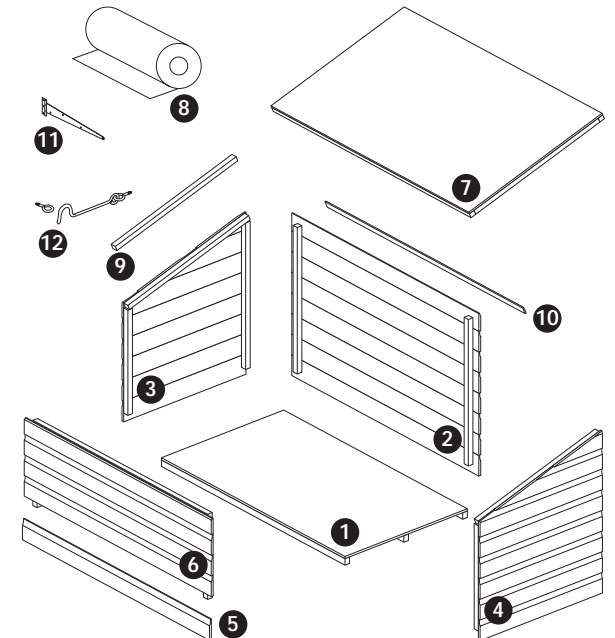
Recommended tools for assembly

- Cross head screw driver
- Hammer
- Spirit level
- Sharp knife
- Drill
- 4mm drill bit



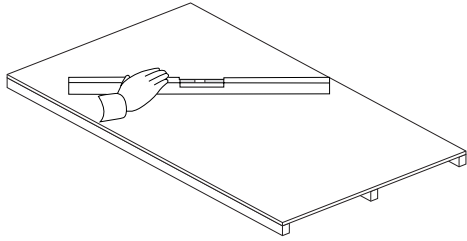
No.	Components	Qty.
1	Floor	1
2	Back panel	1
3	Left panel	1
4	Right panel	1
5	Front boards	2
6	removable front panel	1
7	Lid	1
8	Felt	1
9	Stay bar	1
10	Bargeboard	1

No.	Fixing kit	Qty.
11	T-hinges	2
12	Hook and eye set	1
13	50mm screws	5
14	25mm screws	14
15	38mm nails	27
16	13mm felt nails	50



1. Floor section

Prepare a level area for the chest to sit. Attach 3 treated wooden or similar bearers of size 50 x 50 x 775mm to the floor (Not supplied in kit).



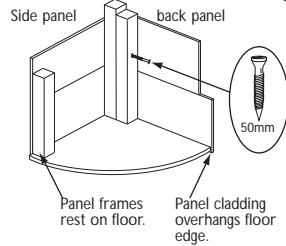
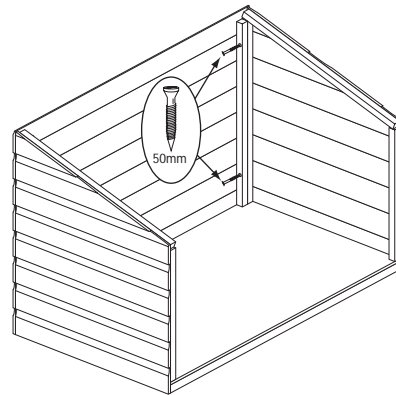
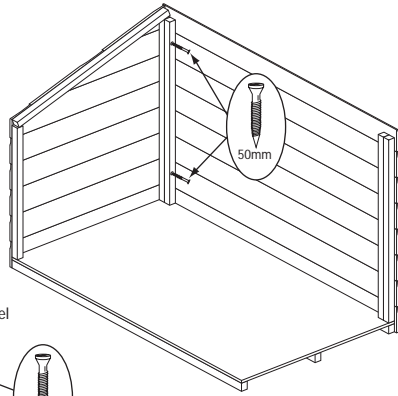
To "VALIDATE" the guarantee, this item should be erected on 50mm x 50mm treated wooden or similar bearers (These are not supplied with the kit). Ground contact must be avoided.

2. Sides and back panels

Position the left panel and back panel as shown. Note how the panel frames sit on the floor with the panel cladding overhanging the floor edge. Ensure square and secure using 2 x 50mm screws through the frame of the back panel into the frame of the left panel. In the same way attach the right-hand panel.

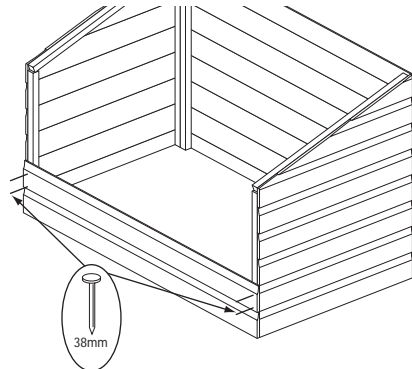
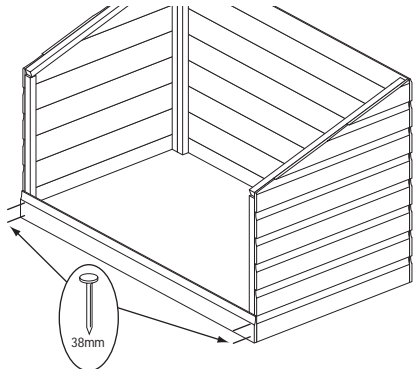


It is recommended to pre-drill these holes with a 3mm drill bit before assembly.



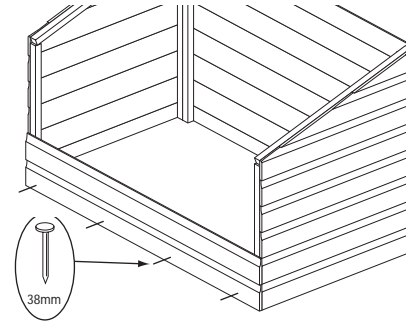
3. Front boards

Place a front board against the front of the chest and with the bottom and ends of the board flush with the side panels secure in place using 2 x 38mm nails at each end. Secure through the board into the frame of the side panels. Position the second front board on top of the first and secure in the same way

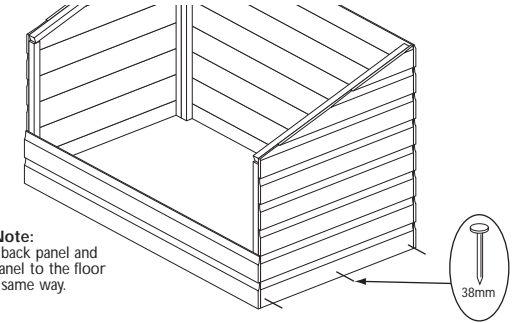


4. Secure walls to floor

Secure the front and back panels to the floor using 4 x 38mm nails for each. Nail through the shiplap of the panels into the floor bearer. Secure each end panel using 3 x 38mm nails. Nail through the shiplap into the ends of each floor bearer.

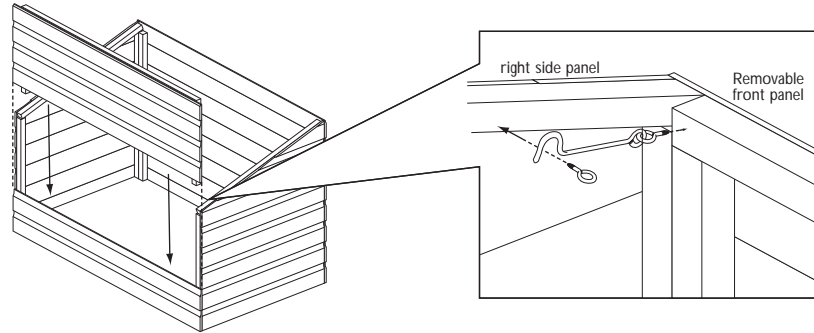


Note: secure the back panel and other side panel to the floor in the same way.



5. Removable front panel

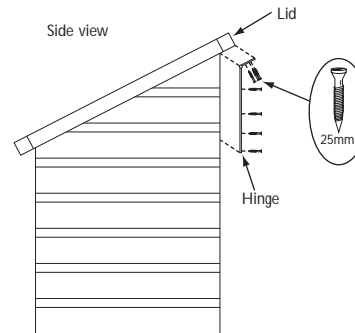
Position the removable front panel in place. On the inside of the right front corner secure the eye to the frame of the side panel and the hook to the frame of the front panel. Ensure that when the 2 parts are fully screwed in the hook is able to fit into the eye to hold the panel in place.



Note: Ensure that when these 2 parts are fully screwed in the hook is able to fit into the eye to hold the panel in place.

6. Lid

Place the lid into position. Locate the hinges and mark the position of the screw holes on the lid ensuring they are in line with back panel framing. Remove the lid and secure the 2 hinges in the marked position using 3 x 25mm screws per hinge. Replace the lid and secure the hinges to the back panels using 4 x 25mm per hinge. Secure the stay bar to the frame of the left side panel using 1 x 50mm screw. Make sure that the bar is able to pivot and will fit inside the chest to allow the lid to shut.



Note: Ensure the stay bar is able to pivot and will fit inside the chest to allow the lid to shut.

Note: The hinges should be positioned in line with the back panel framing.

