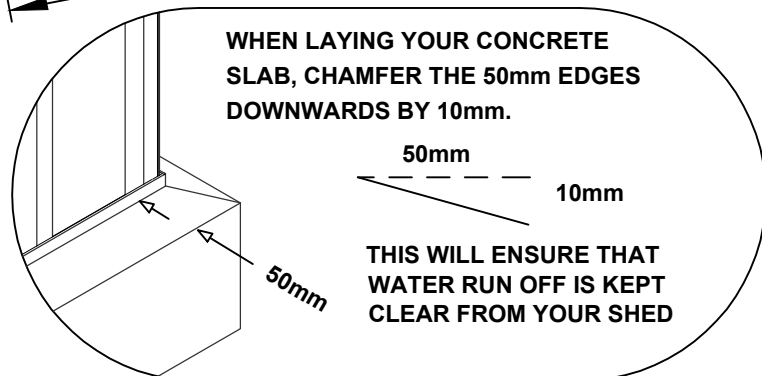
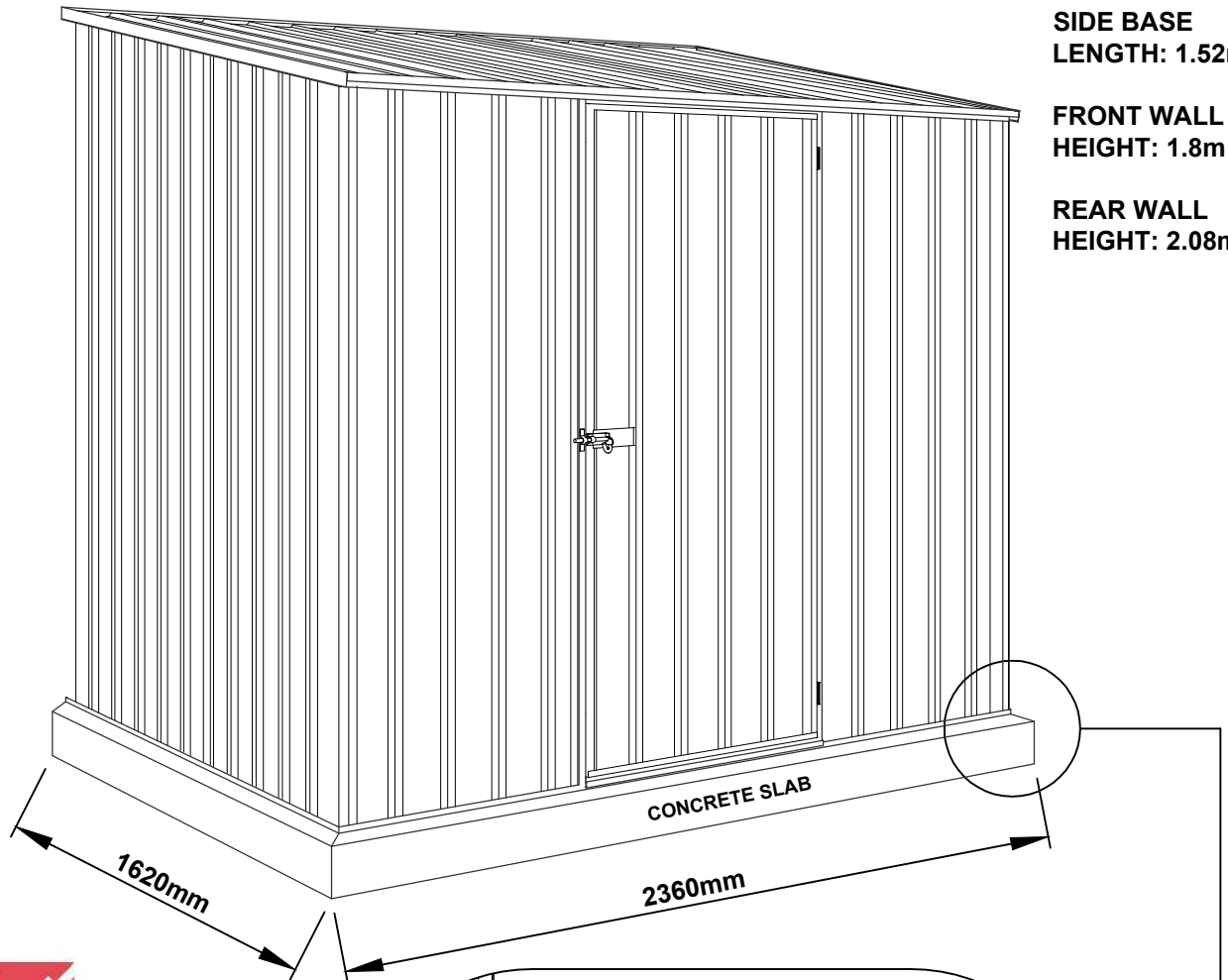


**FRONT BASE
LENGTH: 2.26m**

**SIDE BASE
LENGTH: 1.52m**

**FRONT WALL
HEIGHT: 1.8m**

**REAR WALL
HEIGHT: 2.08m**



We thank you for choosing an Australian Made Shed. For further assistance please visit our detailed instructional video library at <http://www.absco.com.au/videos.php>

**At ABSCO Industries we are always looking to be number ONE, so please let us know what you think of our instructions. Feedback makes us better.
feedback@absco.com.au.**

GENERAL INSTRUCTIONS

- Before commencing any assembly, read through these instructions in detail to gain a thorough understanding of assembly methods and associated details.
- Unpack the carton and carefully identify and check off all the parts against the parts described and illustrated on pages three and four.

SITE PREPARATION

- The site for the shed must be level.
- It is recommended that the shed be set on a 100mm concrete slab and anchored down appropriately (refer page 15 for details).
- Anchor sets are not supplied as standard items with this product.

TOOLS REQUIRED



A NOTE ON SAFETY




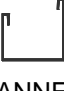


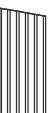





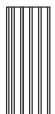

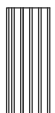

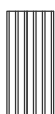
- Some parts may have sharp edges. It is advisable to wear gloves when handling these items and safety glasses if drilling holes. Sensible shoes are highly recommended.
- Do not erect your shed in windy conditions, ensure that the shed is securely anchored to a solid foundation immediately after construction is completed.
- It is highly recommended to erect the shed with two or more people.



Absco Space Saver Shed

Model: 23151S

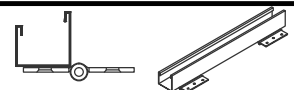
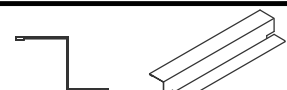
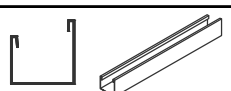
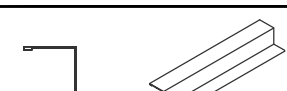
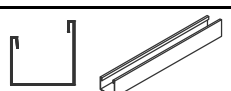
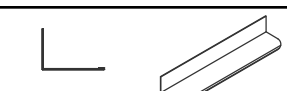
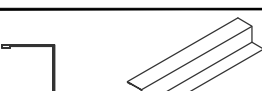


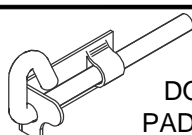

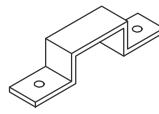

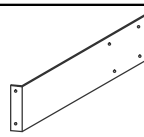
COMPONENTS PACKING LIST - CHECK OFF ALL COMPONENTS

QTY	COMPONENT DESCRIPTION	PART No.	CHECK	QTY	COMPONENT DESCRIPTION	PART No.	CHECK
2	 STEEL SHEET 2045 X 773mm	262		1	 CHANNEL L = 2253mm	54A	
1	 STEEL SHEET 2045 X 773mm	263		1	 CHANNEL L = 2253mm	54C	
1	 STEEL SHEET 1915mm X 773mm	260L		1	 CHANNEL L = 2253mm	54B	
1	 STEEL SHEET 1915mm X 773mm	260R		1	 CHANNEL L = 2253mm	81D	
1	 STEEL SHEET 2045mm X 773mm	261L		2	 CHANNEL L = 1530mm	61D	
1	 STEEL SHEET 2045mm X 773mm	261R		2	 CHANNEL L = 1513mm	81E	
3	 STEEL SHEET 1610mm X 773mm	43S		2	 CHANNEL L = 2253mm	81C	
2	 STEEL SHEET 1785mm X 731mm	32A		1	 CHANNEL L = 788mm	79B	
1	 STEEL SHEET 1725mm X 773mm	B					

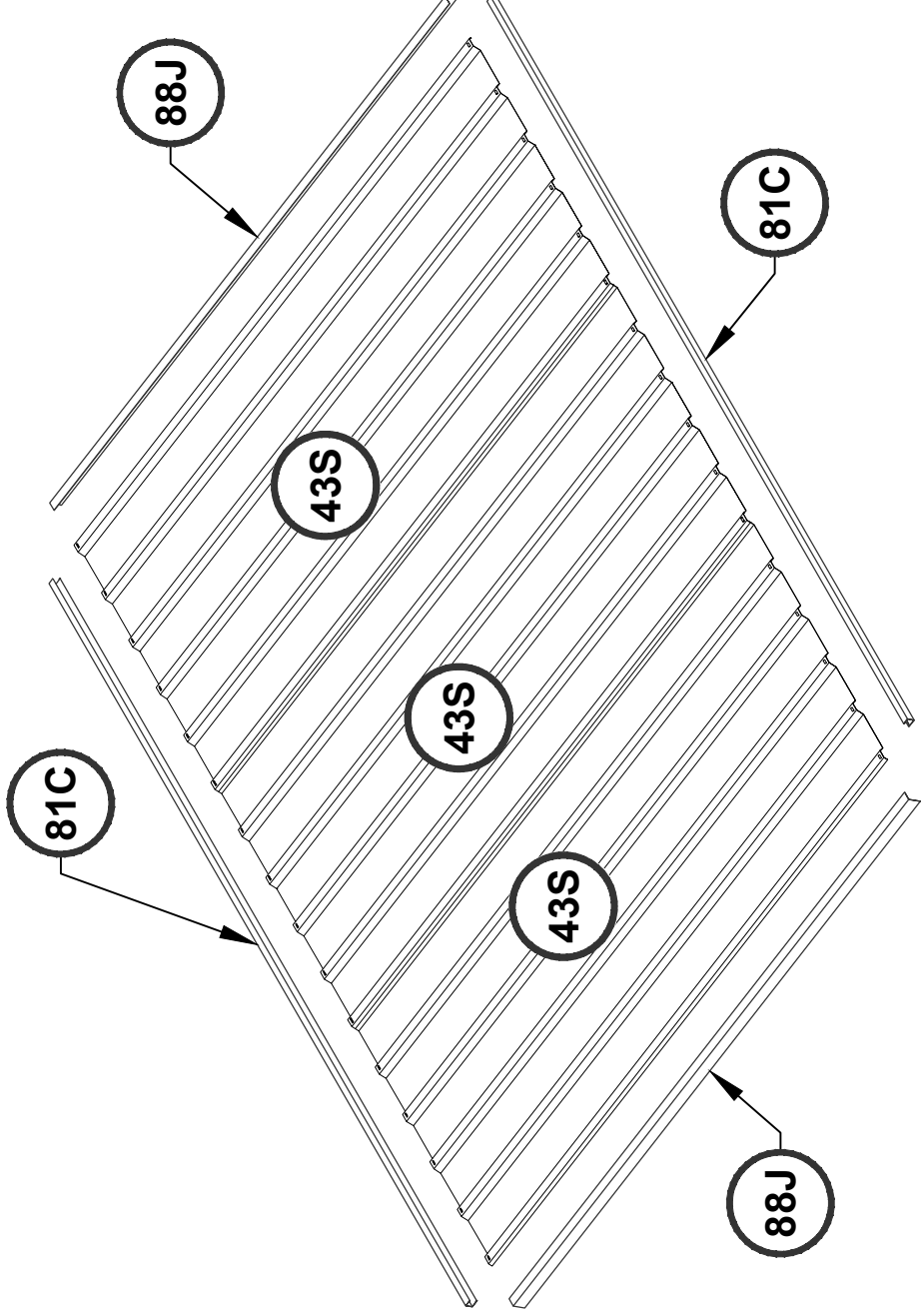
Absco Space Saver Shed

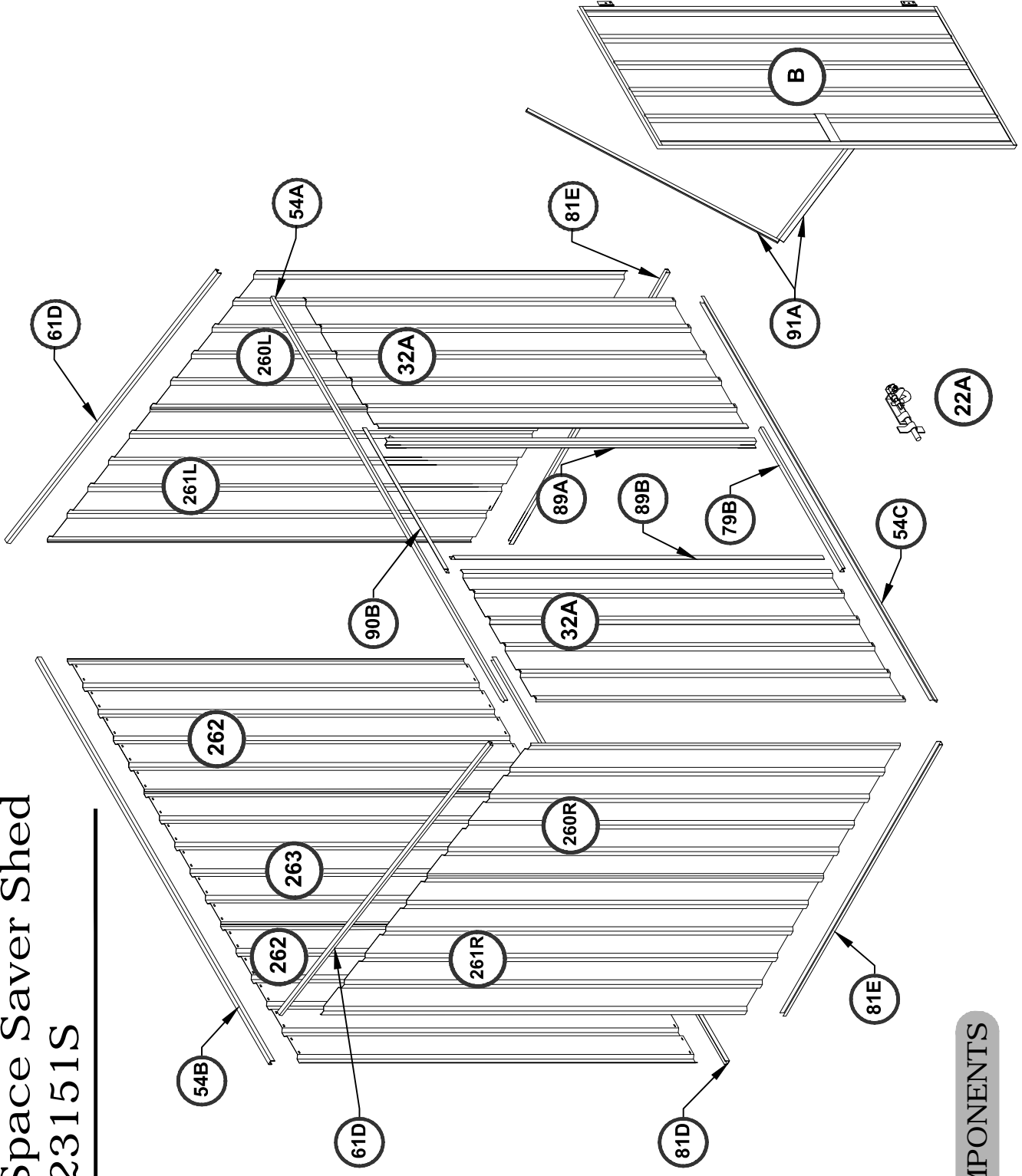
Model: 23151S

COMPONENTS PACKING LIST - (CONT.) CHECK OFF ALL COMPONENTS

QTY	COMPONENT DESCRIPTION	PART No.	CHECK	QTY	COMPONENT DESCRIPTION	PART No.	CHECK
1	 CHANNEL WITH HINGES L = 1725mm	58A		1	 JAMB L= 788mm	90B	
1	 CHANNEL L = 1725mm	58B		2	 JAMB L= 1120mm	91A	
2	 CHANNEL L = 773mm	58C		2	 LIP TRIM L= 1610mm	88J	
1	 JAMB L= 1785mm	89A					
1	 JAMB L= 1785mm	89B					
CONTENTS OF FITTINGS PACKET							
220	 SELF TAPPING SCREWS			1	 DOOR PADBOLT	22A	
6	 4mm CSK SCREW & NUT SECURE HINGES TO DOOR			1	DOOR PADBOLT HASP 		
1	ASSEMBLY INSTRUCTIONS			6	 3mm POP RIVETS SECURE HINGES TO DOOR (ALTERNATIVE FIXING METHOD)		
				1	 DOOR STRAP L: 165mm	12A	

VIEW OF ROOF COMPONENTS

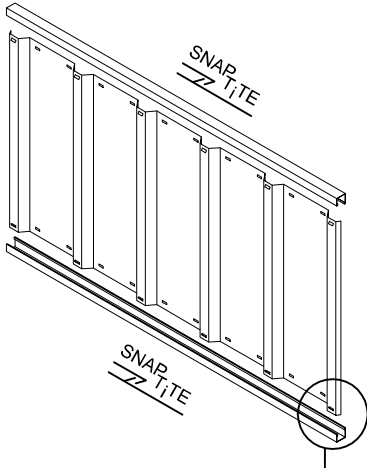




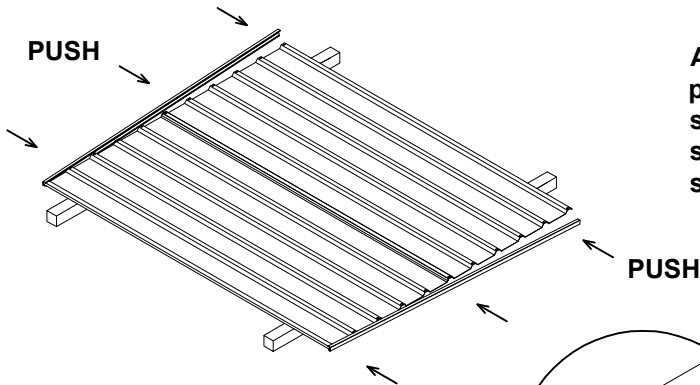
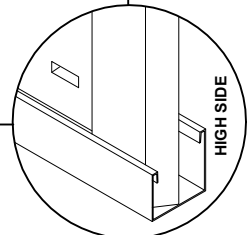
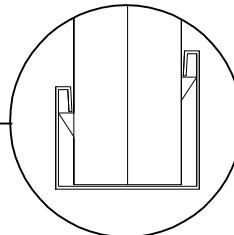
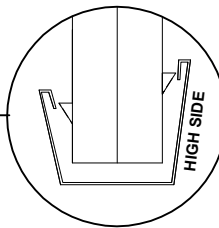
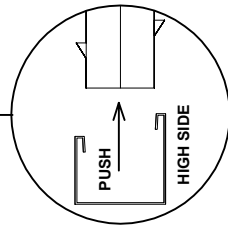
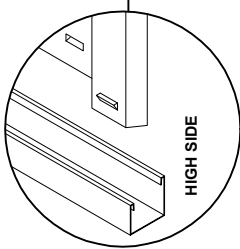
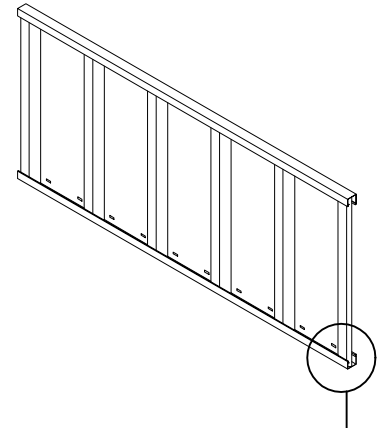
VIEW OF WALL COMPONENTS

ABSCO ASSEMBLY INTRODUCTION

The snap-tite assembly system locks all perimeter channels to all roof and wall sheets without the need for tools and fasteners.



To pre-assemble the four wall panels and two roof panels, the perimeter channels are secured to the top and bottom of each panel using the snap-tite system, as detailed on the following pages wherever you see the symbol.



After joining sheets together, position channel over one end of the sheets, gently tapping it over the sheets, working along the sheets to the other end.

Position sheets on timbers, trestles or partly over edge of concrete slab.

FASTENING SYMBOLS



Join components together with one screw at this location only, as some channel sections have extra holes that are not required for this model of garden shed



3mm POP RIVETS

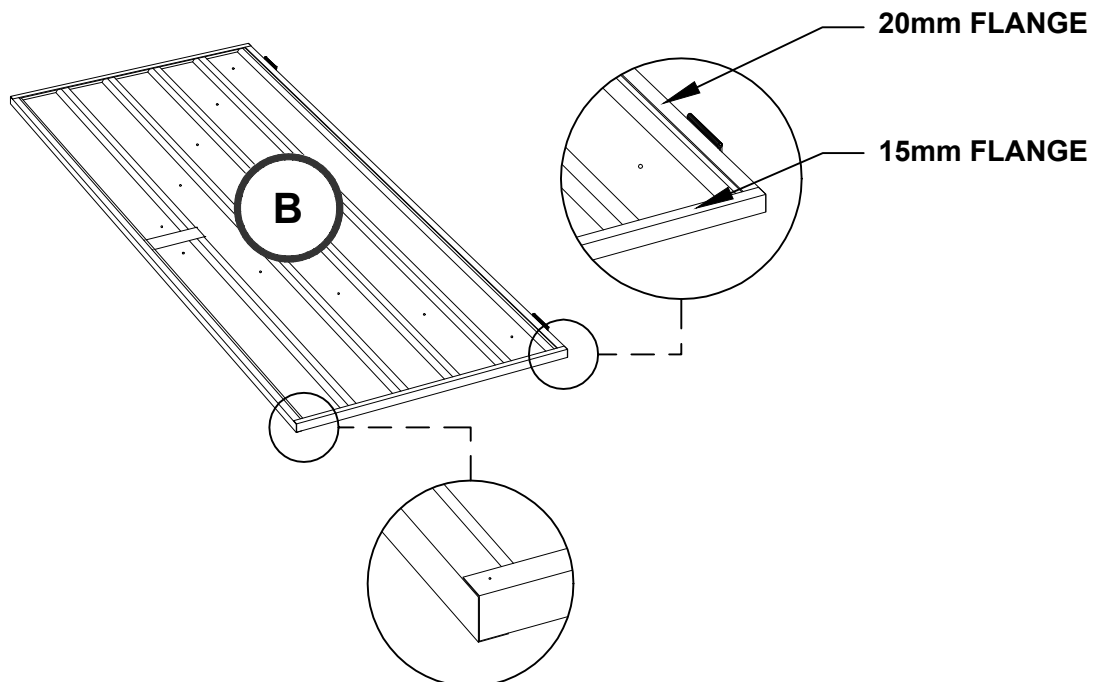
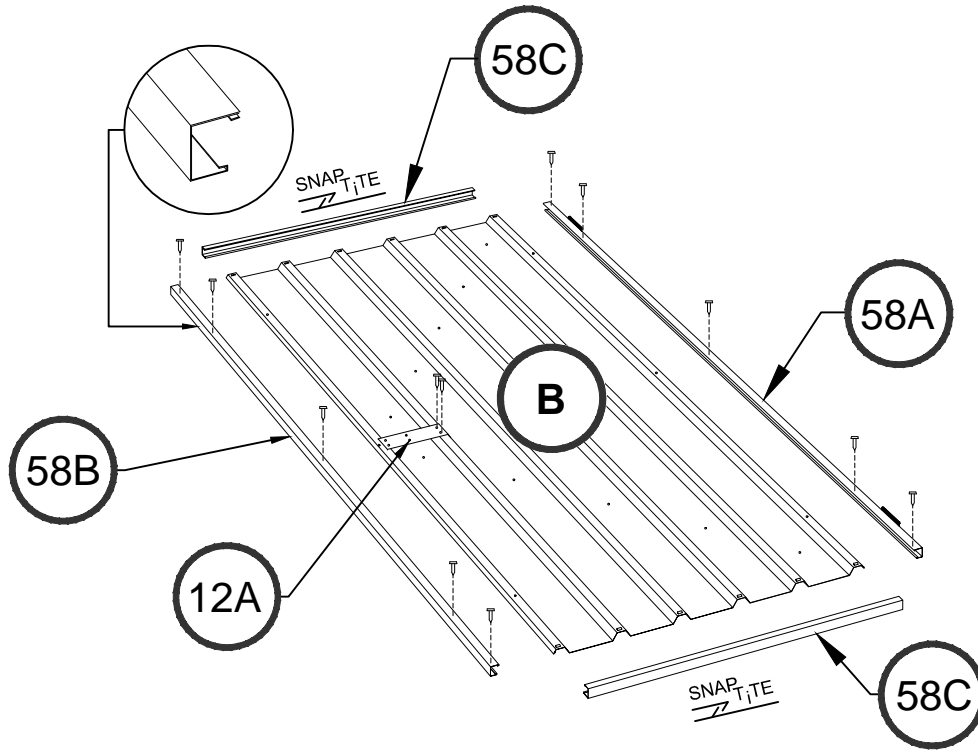


4mm NUT & BOLT SET

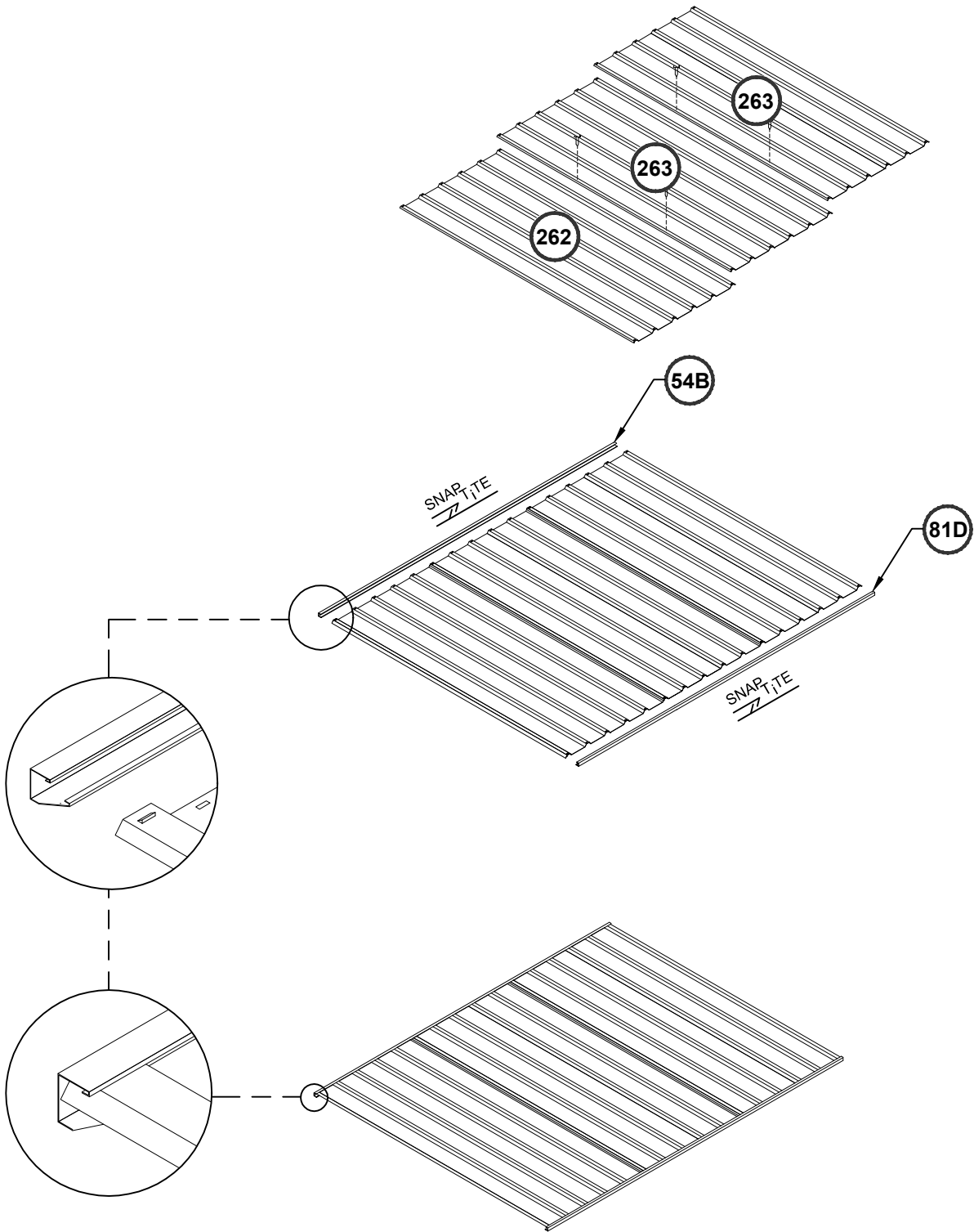


Do not join components together at this location yet, as the screw may obstruct further assembly of other components

DOOR PANEL ASSEMBLY



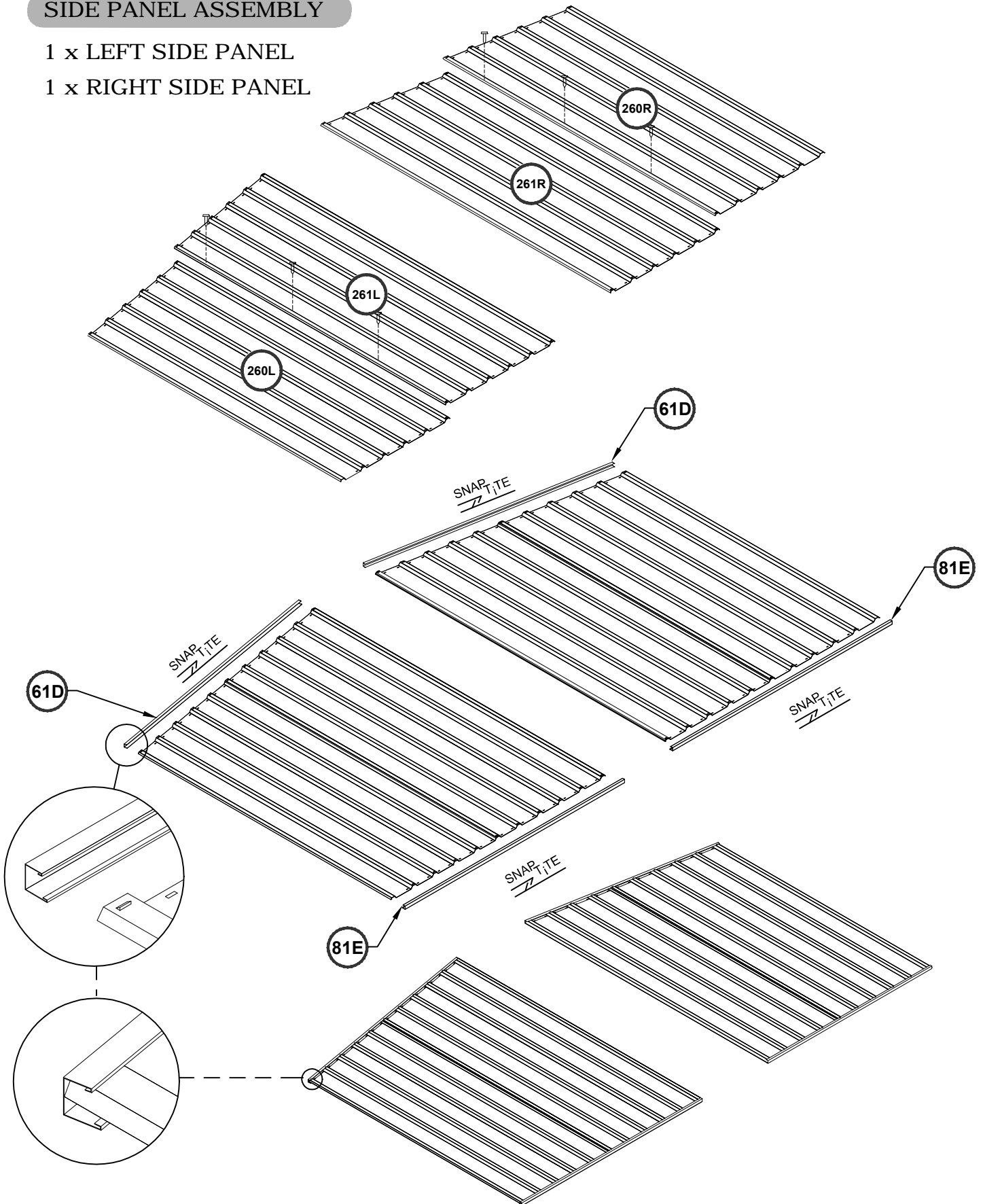
REAR PANEL ASSEMBLY



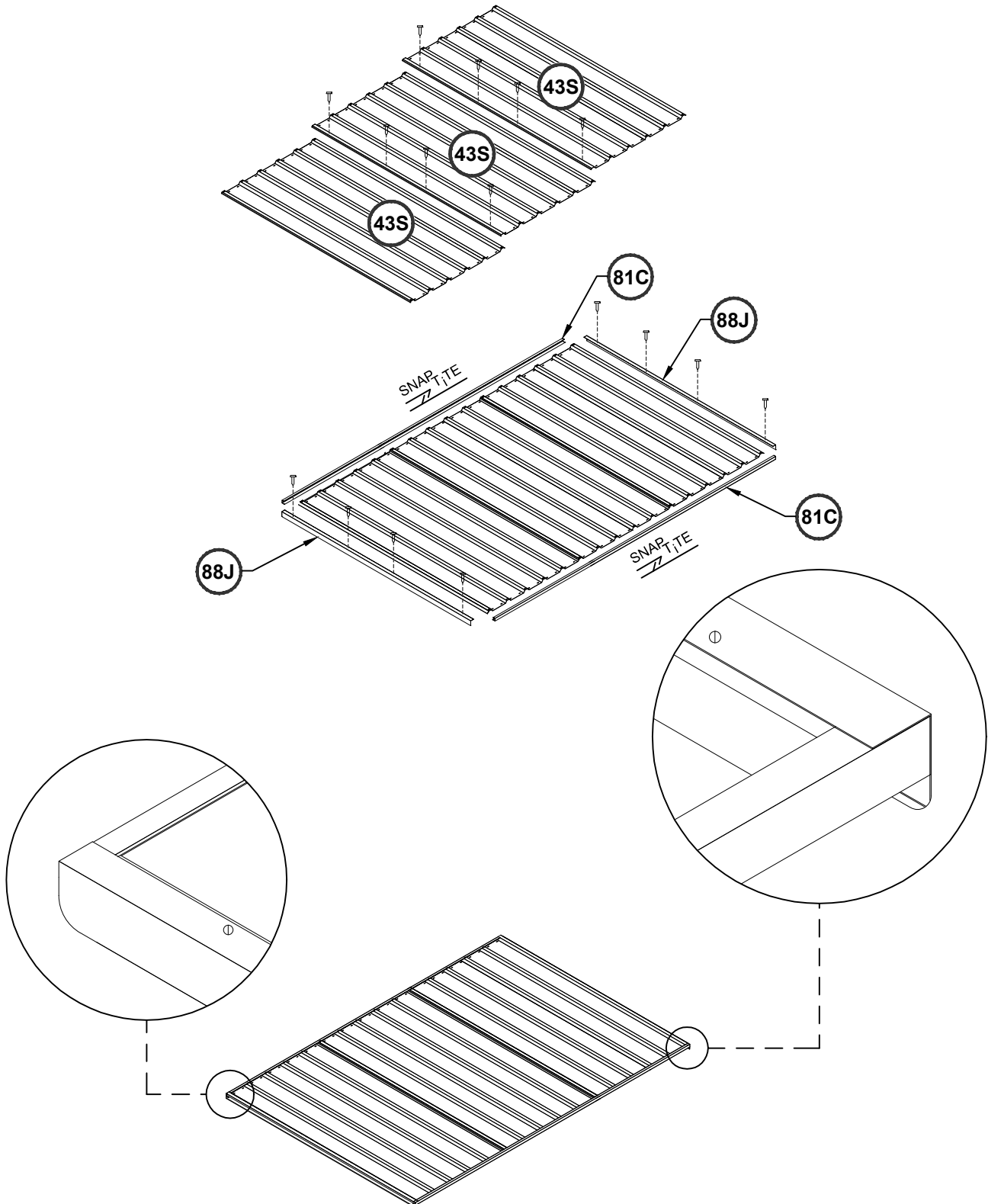
SIDE PANEL ASSEMBLY

1 x LEFT SIDE PANEL

1 x RIGHT SIDE PANEL



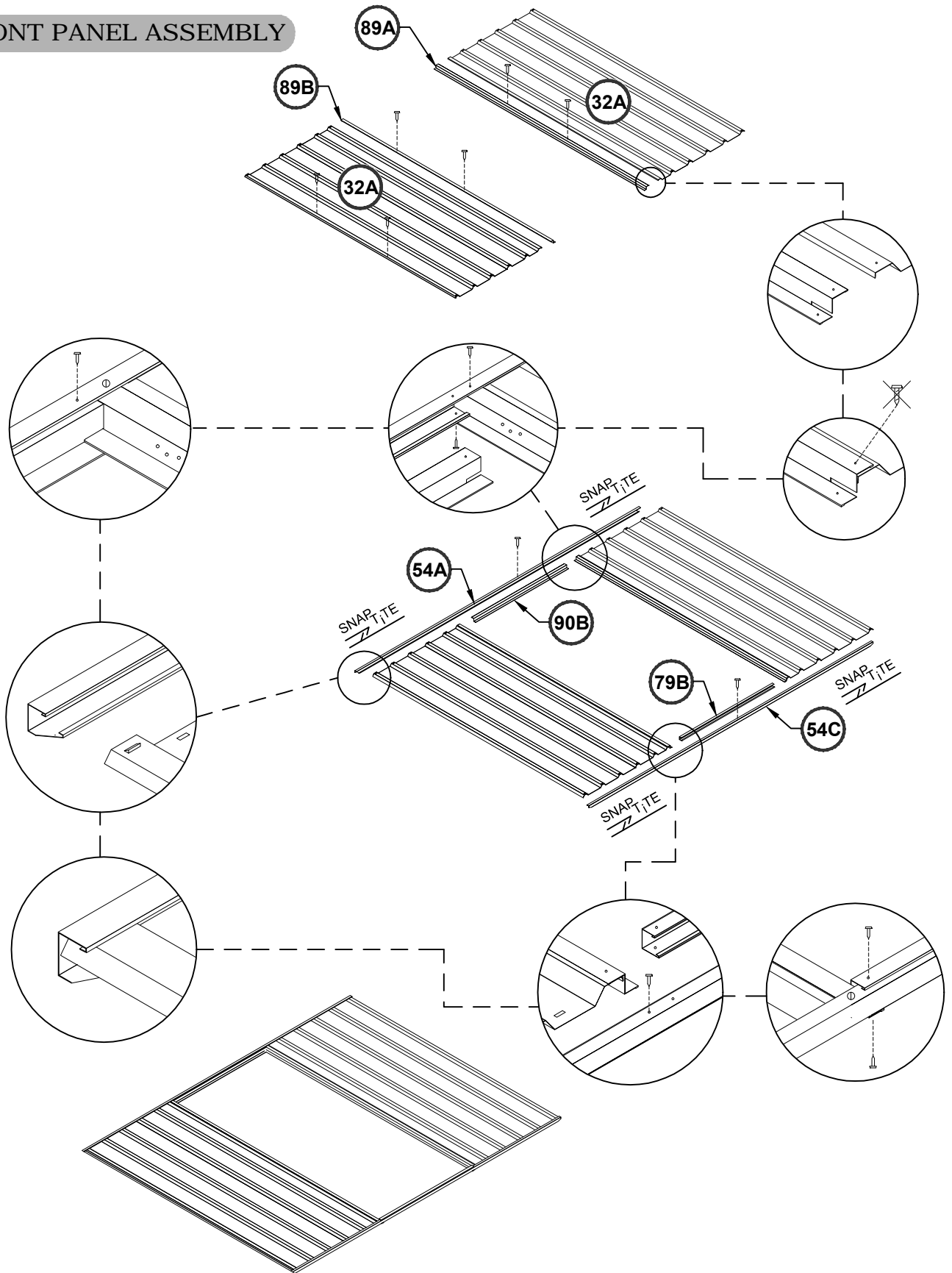
ROOF PANEL ASSEMBLY



Absco Space Saver Shed

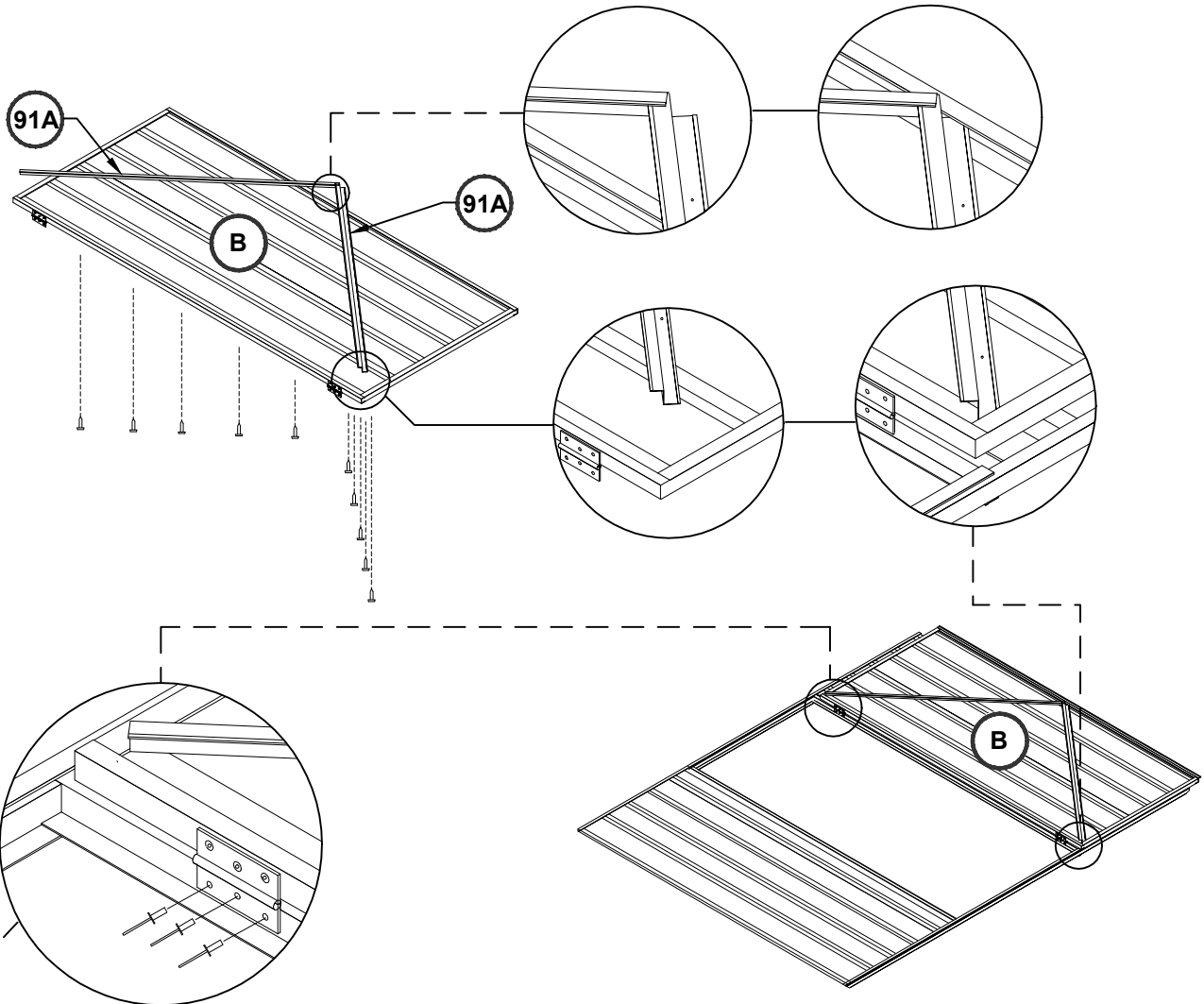
Model: 23151S

FRONT PANEL ASSEMBLY

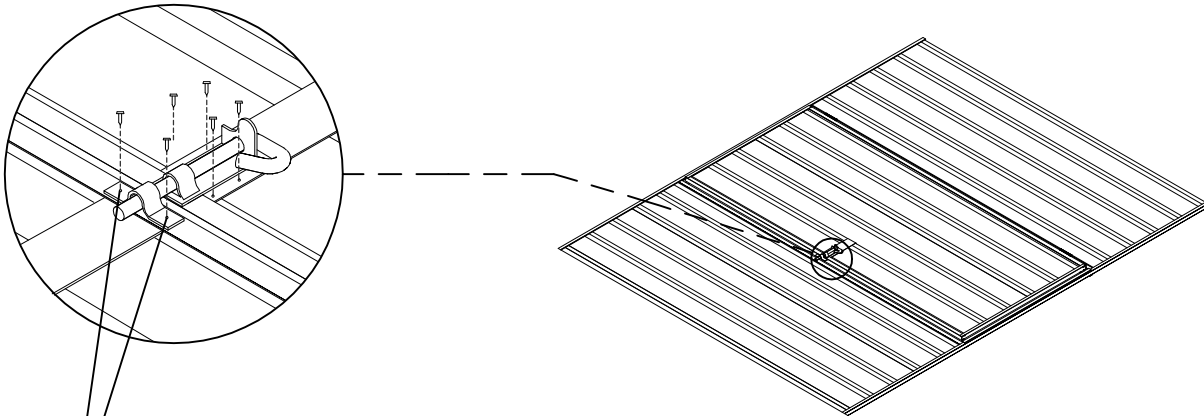


Absco Space Saver Shed

Model: 23151S



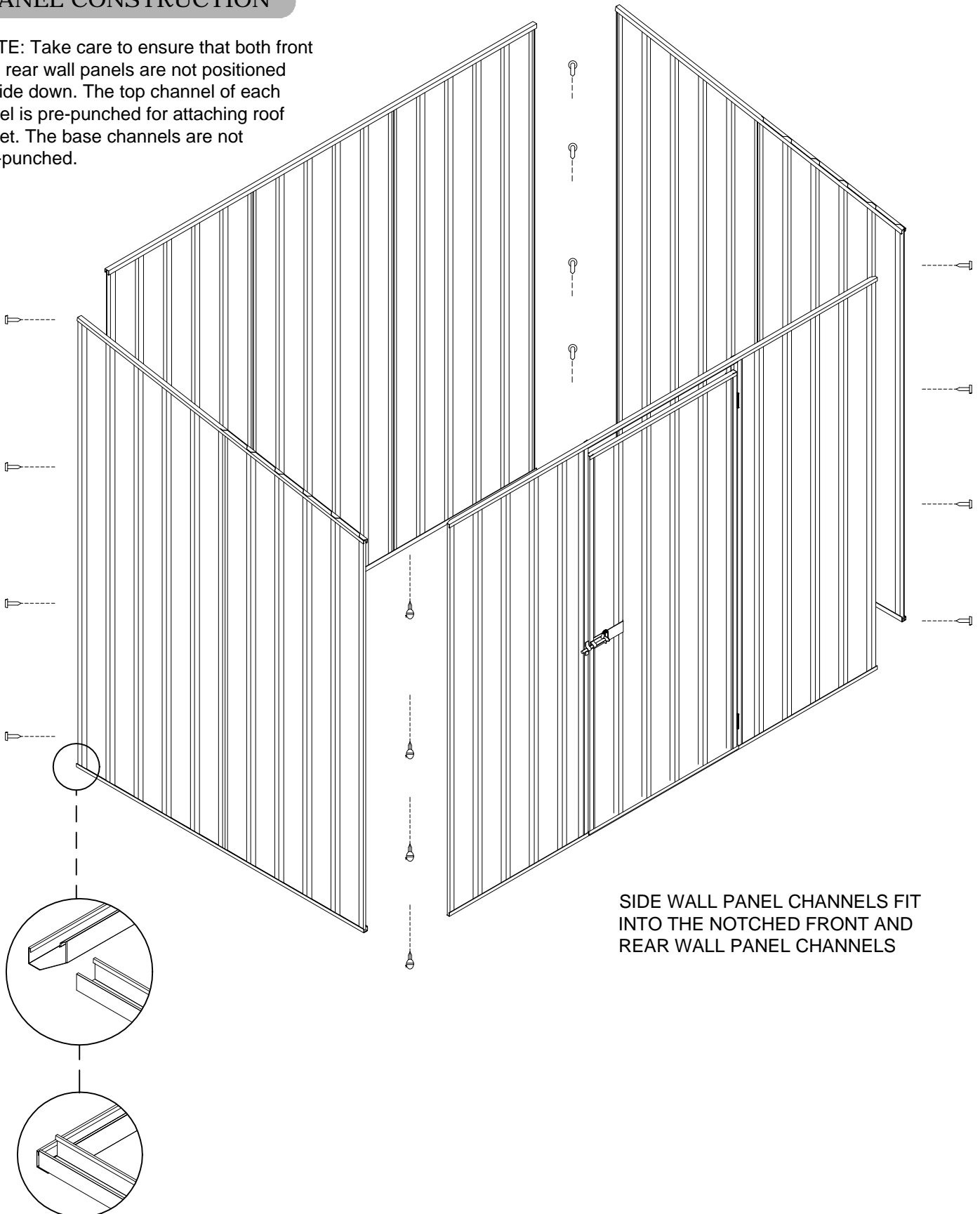
NOTE: NUTS AND BOLTS (SUPPLIED) MAY BE USED INSTEAD OF POP RIVETS (SUPPLIED) BY SIMPLY ENLARGING THE HINGE HOLE SETS IN THE JAMB USING A 4MM DRILL BIT



NOTE: The two holes required to connect the padbolt hasp for each door have not been pre-punched, to allow for proper alignment. position each hasp centrally over the padbolt shaft, and drill 3mm holes and secure with screws

PANEL CONSTRUCTION

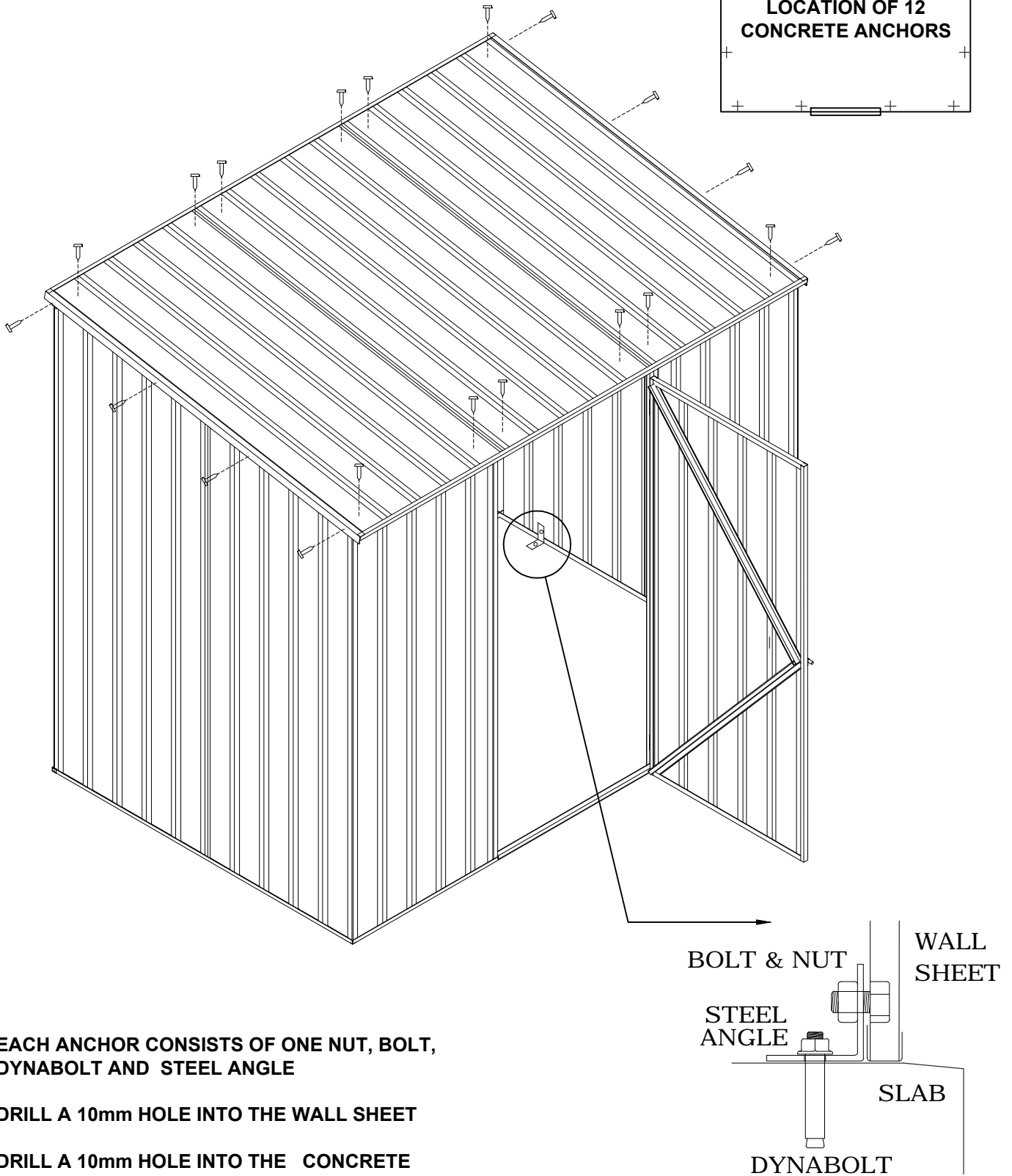
NOTE: Take care to ensure that both front and rear wall panels are not positioned upside down. The top channel of each panel is pre-punched for attaching roof sheet. The base channels are not pre-punched.



SIDE WALL PANEL CHANNELS FIT INTO THE NOTCHED FRONT AND REAR WALL PANEL CHANNELS

FINAL CONSTRUCTION

ANCHORING OF SHED



- EACH ANCHOR CONSISTS OF ONE NUT, BOLT, DYNABOLT AND STEEL ANGLE
- DRILL A 10mm HOLE INTO THE WALL SHEET
- DRILL A 10mm HOLE INTO THE CONCRETE