

Before assembly

- We recommend that time is taken to read the instructions before starting assembly, then follow the easy step by step guide. The instruction sheet is only a guide to the assembly. Certain items may not be shown to scale.
- Check all components prior to assembly
- This product should be assembled by no less than two people.
- Never attempt to erect the assembly in high winds.

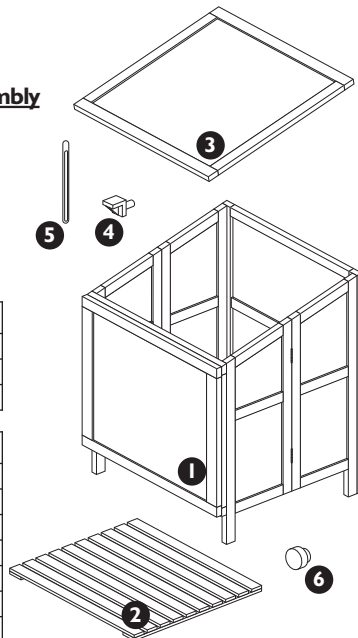


Recommended tools for assembly

- Cross-head screw driver

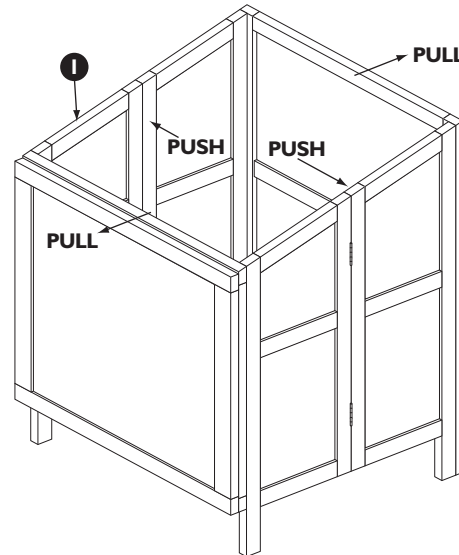
No.	Components	Qty.
1	Body	1
2	Shelves	2
3	Lid	1

No.	Fixings	Qty.
4	Shelf support	8
5	Slide	1
6	Door knob	2
7	15mm screw	6
8	25mm roundhead screw	1
9	30mm bolt	1
10	Wing nut	1

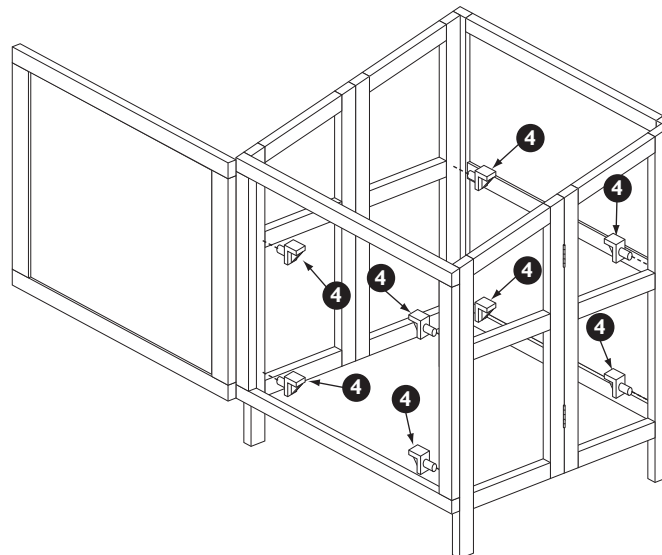


STEP 1

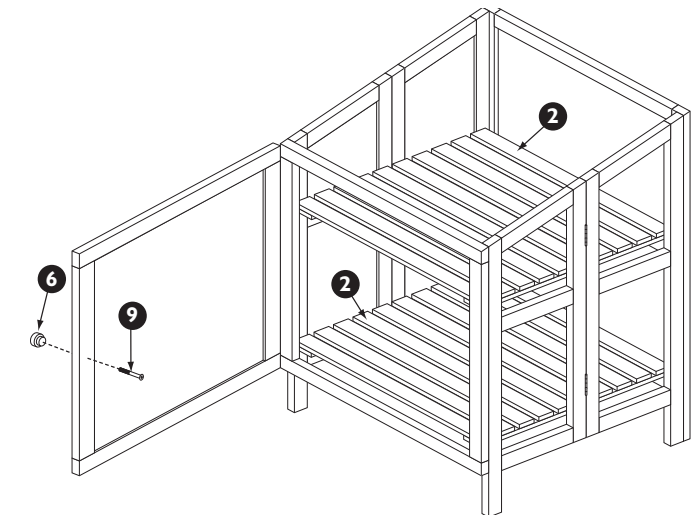
Unfold the frame. Pull the front and back out and then push the sides fully out.



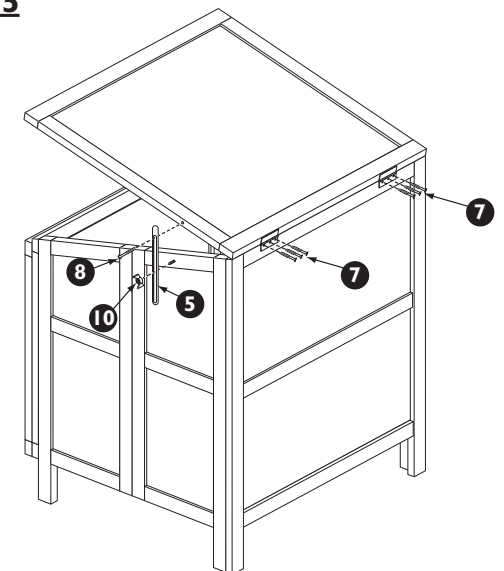
STEP 2



STEP 3



STEP 5



We constantly improve the quality of our products, occasionally the components may differ from the components shown and are only correct at time of printing. We reserve the right to change the specification of our products without prior notice.